

Pediatric Scale

Model SR630i

The SR630i Pediatric Scale provides reliable and accurate weight data for infants up to 20 Kilograms. The large, durable contoured weighing platform provides a safe and comfortable base for infants and toddlers. The easy-to-read 16 character LCD can display weight information in any of four modes:

Pounds/Ounces	1/4 oz increments
Pounds Decimal	0.01 pound increments
Kilograms	0.005 kilo increments
Grams	5 gram increments

The scale's built-in handles make moving the scale between locations safe and easy.



ANTIMICROBIAL

SR Scales exclusive: contains Microban[®] antimicrobial technology for powerful, continuous product protection against bacteria.

PORTABLE

Scale can be easily carried from one location to the next using the built-in handles.

MEMORY RECALL

Recalls the last stored weight.

BATTERY OR AC POWERED

6 "D" cell batteries provide approximately 10,000 weigh cycles with programmable Auto Power Down (APD) to conserve power.

ALUMINUM PLATE CONSTRUCTION

Antimicrobial composite weighing platform is durable, lightweight, and easy-to-clean.

EHR/EMR READY

Serial data output can be used to communicate with electronic health records through send or get commands.

OPTIONAL EQUIPMENT

Thermal printer

Also available in KG-only model



4 YEAR
WARRANTY

Pediatric Scale

Model SR630i



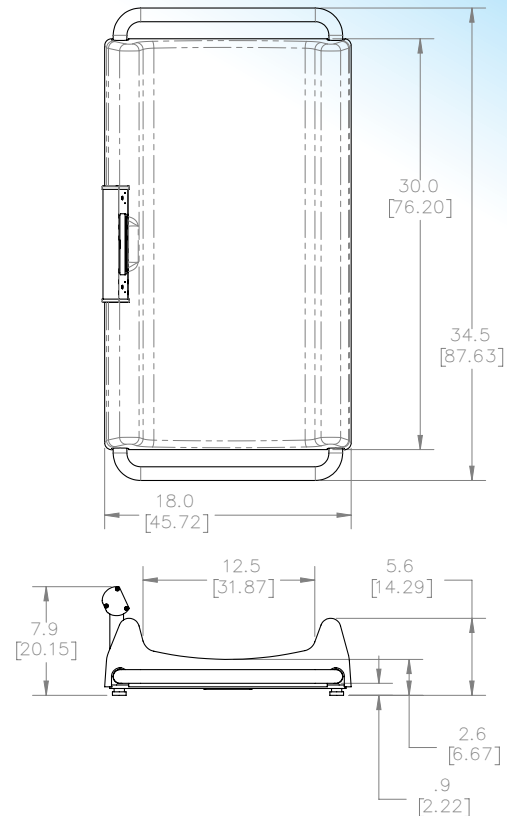
SYSTEM SPECIFICATIONS

MAX WEIGHT	44 Lb / 20 Kg
DISPLAY TYPE	16 Character LCD w/ LED Backlight
DISPLAY RESOLUTION	0.01 Lb, 1/4 oz 0.005 Kg, 5 g
ACCURACY	0.1% +/- 1 digit of displayed resolution
DISPLAY UNITS	Lb / Lb oz / Kg / g
CRADLE SIZE	30" x 12-1/2"
POWER	6 "D" cell alkaline batteries or AC wall adaptor
BATTERY LIFE	10,000 Weigh Cycles (est. based on 30 second on-time)
AUTO POWER DOWN (APD)	Programmable on-time to conserve battery life. A low battery indication will appear when it's time to replace the batteries.
MEMORY	Last stable weight is automatically stored in memory. Press RECALL to retrieve.
SERIAL DATA OUTPUT (EHR)	9-pin serial data output can be used to send weight data to optional printer or EHR/EMR systems.
ANTIMICROBIAL	See www.mircroban.com/sr-scales for specifications on Microban [®] technology
WARRANTY	4 years

ACCESSORIES AND OPTIONS

DESCRIPTION	PART NUMBER
KILOGRAM ONLY SCALE	SR630i-KG
PRINTER KIT Includes FRAP1300, FRTP130012C, FRBC1300, FRAP1300-D9, and all mounting hardware	SR8237
REPLACEMENT THERMAL PRINTER	FRAP1300
REPLACEMENT PAPER	FRTP130012C
REPLACEMENT POWER ADAPTOR	FRBC1300
REPLACEMENT DATA CABLE	FRAP1300-D9
ATTACHABLE CART	SM9362

DIMENSIONS in [cm]



PACKAGING

