

# Pediatric Scale

## Model SR615i

The SR615i Pediatric Scale provides reliable and accurate weight data for infants up to 40 pounds. The easy-to-read 16 character LCD displays weight information in any of four modes:

Pounds/Ounces	1/4 oz increments
Pounds Decimal	0.01 pound increments
Kilograms	0.005 kilo increments
Grams	5 gram increments

The optional stainless steel cart offers excellent portability.



\*Shown with optional stainless steel cart

### LIGHTWEIGHT/PORTABLE

Easy to pick up and take to your patient or use the optional Stainless Steel Cart as a portable weigh station with added storage.

### MEMORY RECALL

Recalls the last stored weight.

### BATTERY OPERATED

6 "D" cell batteries provide approximately 10,000 weigh cycles with programmable Auto Power Down (APD) to conserve power.

### ALUMINUM PLATE CONSTRUCTION

With easy-to-clean plastic shell. Durable and easy-to-clean.

### EHR/EMR READY

Serial data output can be used to communicate with electronic health records through send or get commands.

### OPTIONAL EQUIPMENT

Thermal printer

Also available in KG-only model



4 YEAR  
WARRANTY

# Pediatric Scale

## Model SR615i



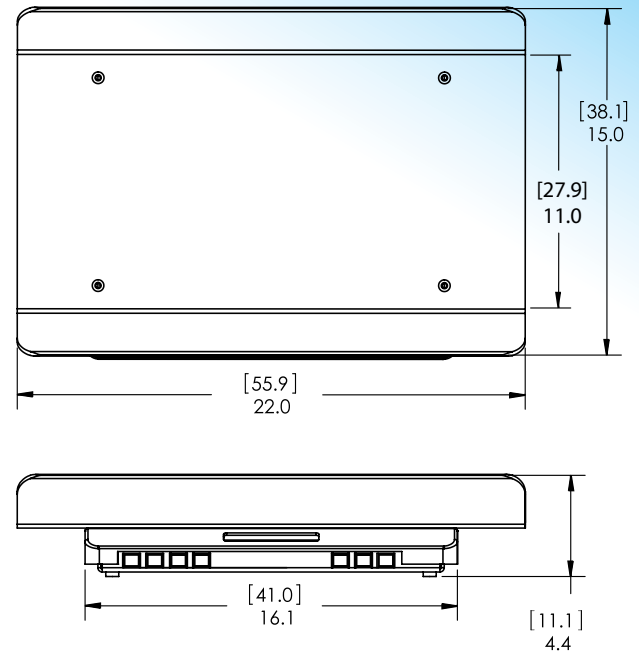
### SYSTEM SPECIFICATIONS

<b>MAX WEIGHT</b>	40 Lb / 18 Kg
<b>DISPLAY TYPE</b>	16 Character LCD w/ LED Backlight
<b>DISPLAY RESOLUTION</b>	0.01 Lb, 1/4 oz 0.005 Kg, 5 g
<b>ACCURACY</b>	0.1% +/- 1 digit of displayed resolution
<b>DISPLAY UNITS</b>	Lb / Lb oz / Kg / g
<b>TRAY SIZE</b>	22" x 15" (options available)
<b>POWER</b>	6 "D" cell alkaline batteries
<b>BATTERY LIFE</b>	10,000 Weigh Cycles (est. based on 30 second on-time)
<b>AUTO POWER DOWN (APD)</b>	Programmable on-time to conserve battery life. A low battery indication will appear when it's time to replace the batteries.
<b>MEMORY</b>	Last stable weight is automatically stored in memory. Press RECALL to retrieve.
<b>SERIAL DATA OUTPUT (EHR)</b>	9-pin serial data output can be used to send weight data to optional printer or EHR/EMR systems.
<b>WARRANTY</b>	4 years

### ACCESSORIES AND OPTIONS

DESCRIPTION	PART NUMBER
<b>KILOGRAM ONLY SCALE</b>	SR615i-KG
<b>STAINLESS STEEL PEDIATRIC SCALE TABLE</b>	SRC-100
<b>REPLACEMENT 22" TRAY</b>	PF1051-1
<b>OPTIONAL 24" CLOSED END TRAY</b>	PF1374-1
<b>PRINTER KIT</b> Includes FRAP1300, FRTP130012C, FRBC1300, FRAP1300-D9, and all mounting hardware	SR8237
<b>REPLACEMENT THERMAL PRINTER</b>	FRAP1300
<b>REPLACEMENT PAPER</b>	FRAP130012C
<b>REPLACEMENT POWER ADAPTOR</b>	FRBC1300
<b>REPLACEMENT DATA CABLE</b>	FRAP1300-D9

### DIMENSIONS in [cm]



### PACKAGING

